

GUTTER DRAIN



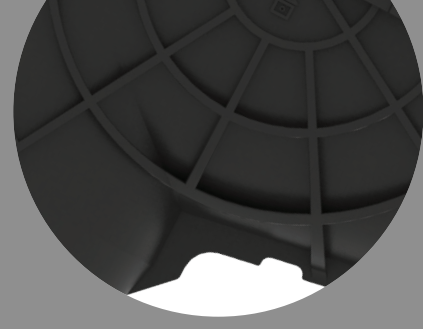
General characteristics

Made of polypropylene, the product is intended and designed for adequate drainage of surface water (rainwater) in external sewage systems. The drain allows the connection of gutter pipes of different diameters. The drain pipe connection includes 2 options (110 and 125 mm), which are used depending on the pipeline to which the drain is connected.

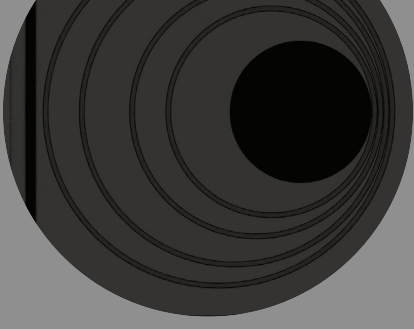
The gutter drain contains a dry valve that blocks the entry of pests from the pipeline, as well as a basket (leaf catcher) which maximally simplifies and facilitates cleaning. The design also enables the connection of different diameters of gutter pipes in a simple way, by cutting the appropriate diameters to DN50, DN75, DN90, DN110, and DN125.

Full name of product: GUTTER DRAIN VERTICAL

Product code: 10299090



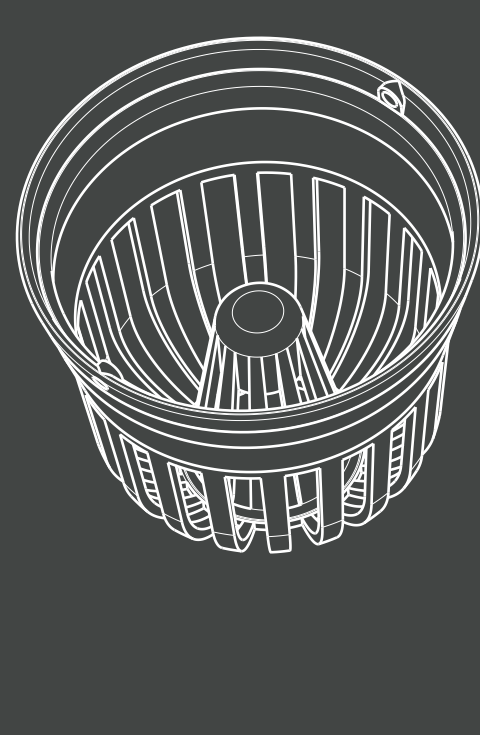
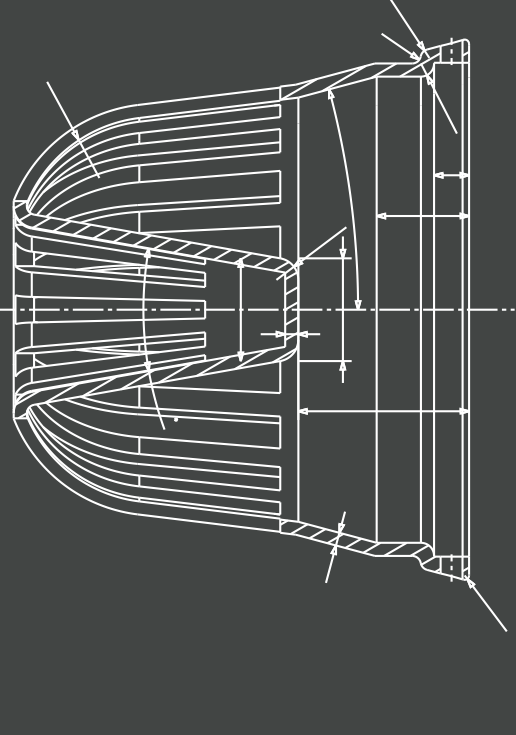
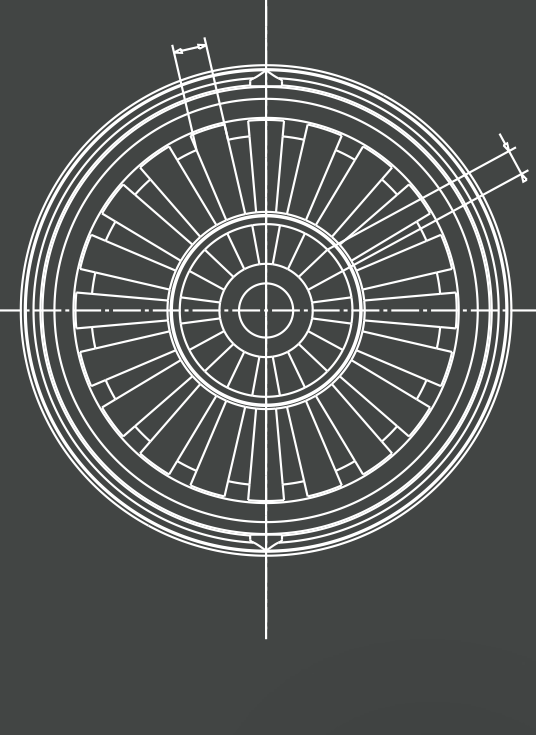
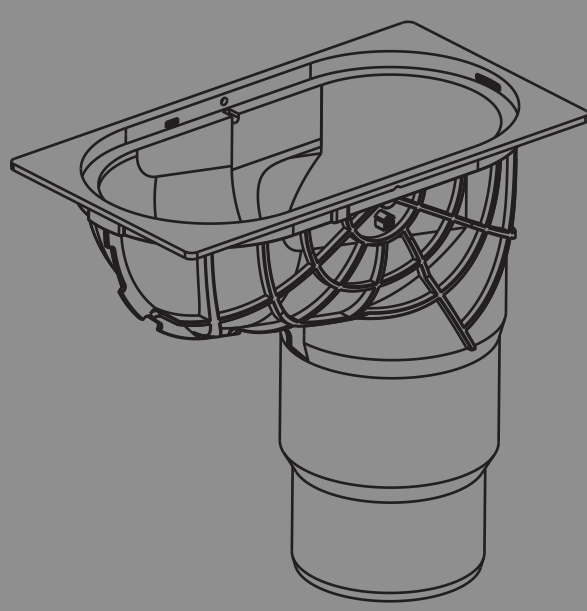
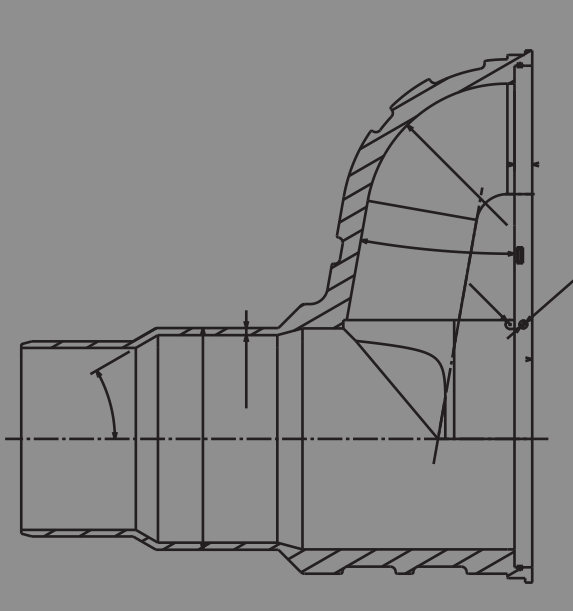
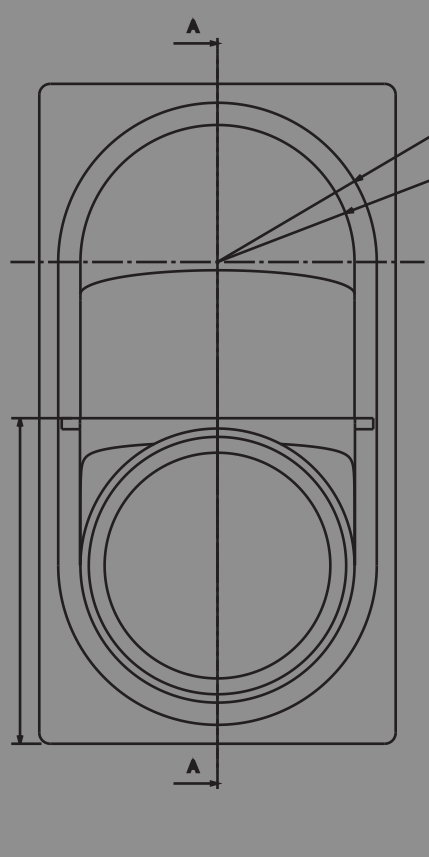
Strengthened ribs for the better adhesion to the base (concrete)



Biggs for cutting appropriate gutter diameter



Valve for protection against pest entrances



Leaf catcher

The leaf catcher has improved water flow thanks to the central ribbed pillar which in the case of clogging the bottom, provides undisturbed water flow.

The folding handle provides easy removal of catchers and easier disposal of collected leaves. The cup with a conic shape provides easy removal without getting stuck.

